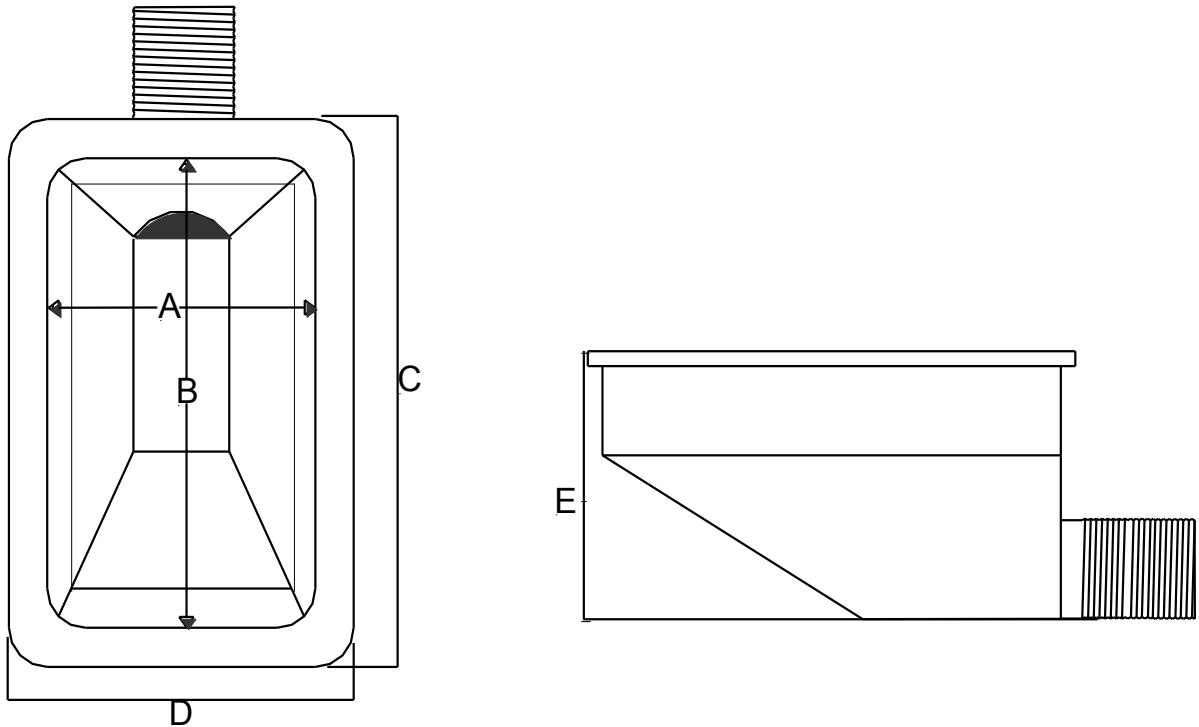




# SCIENTIFIC PLASTICS INC.

## Rectangular Low Profile Cup Sink with end discharge



	S.P. Part #	A	B	C	D	E
Black	W39081-150	3"	6"	7-1/2"	4-1/2"	4-1/2"
Grey	W39081-154	3"	6"	7-1/2"	4-1/2"	4-1/2"
White	W39081-158	3"	6"	7-1/2"	4-1/2"	4-1/2"



Scientific Plastics Inc.  
1016 Southwest Blvd.  
Kansas City Ks. 66103  
Phone: (913)432-0322  
Fax: (913)432-0459

S.P. Part Number W39081-150  
Date: 3/21/13  
Revised: 12/07/10