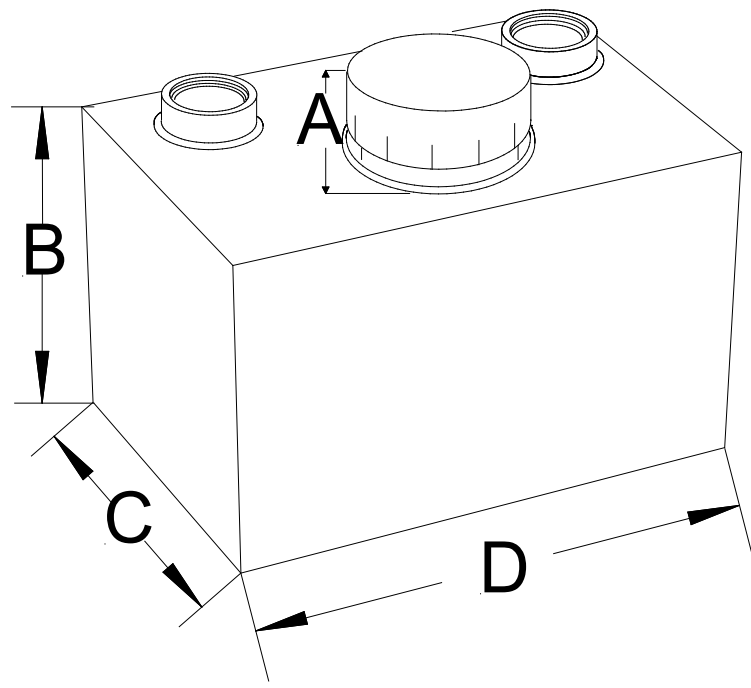


# 1-1/2 GALLON SQUARE DILUTION/NEUTRALIZATION TANK

**Designed for compact point of use under sink.**

**Add limestone and use for neutralization.**

**Removable 3" Cap allows for clean out.**



SP PART #	A	B	C	D	INLET/ OUTLET
W32501-150	2-1/4"	9"	8-1/2"	12-15/16"	1-1/2" FPT
W32502-150	2-1/4"	9"	8-1/2"	12-15/16"	2" FPT

**Male connections may be substituted at no additional charge please specify upon order**

Tanks should be of seamless construction, rotationally molded in the USA. From HD polyethylene resin conforming to ASTM D-1998-06 and ASTM D-4976. External fittings conforming to ASTM F-1412, shall be polyfused and/or welded to the tank, and be provided with the inlet dip pipe extending down to the bottom. The effluent must be discharged at the bottom of the tank to maximize dwell time. Covers are either bolted down or welded to the tank. The inside bottom of the tank shall be flat with no recessed areas where acid waste or other contaminants can pool.