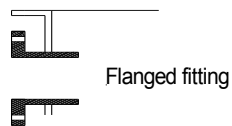
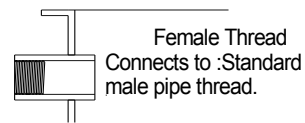
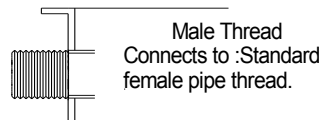
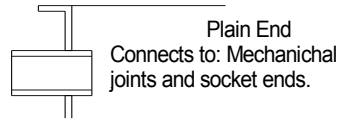


Tank Tops/Connections Options

Connections are available in these styles

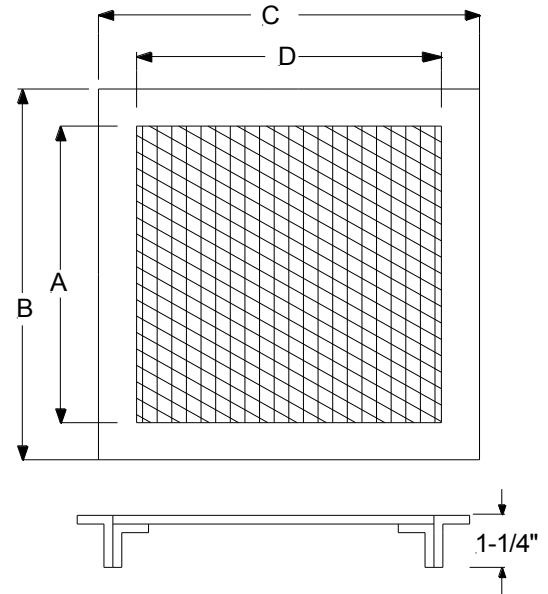


Connections are available for

Tanks in 1-1/2", 2", 3", 4", 6"

Trap Doors

ALL DIMENSIONS ARE IN INCHES

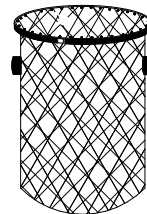


Dimensions(inches)

Model	A	B	C	D	Weight lbs.
OR-24	24	26-11/42	26-11/42	24	32
OR-36	36	38-11/42	38-11/42	36	57
OR-48	48	50-11/42	50-11/42	48	88

Fiber Glass Wrapped

Contact your customer service representative for information and pricing.



High level alerts and pH monitoring

Scientific Plastics partners with several high quality manufactures of Electronic monitoring & indicating devices. Please contact us to discuss your requirements.

