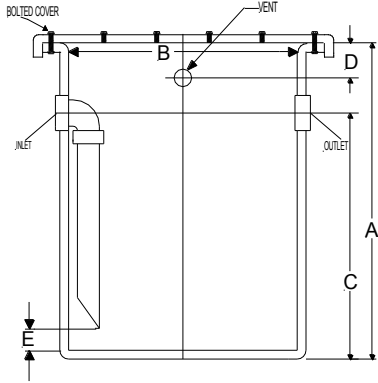
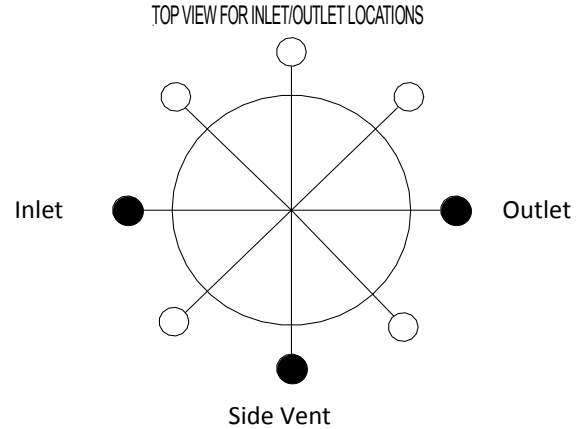


Standard Heights



Standard Locations



ALL DIMENSIONS ARE IN INCHES

Gallons	Inlet/Outlet	Vent	A-Height	B-Diameter	C-Inlet/Outlet	D-Vent	E-Inlet to btm	Weight
2	1.5"	1.5"	9"	9"	6.5"	2"	2"	3-3/4"
5	2"	2"	16-1/4"	11"	12"	3"	3"	9
7.5	2"	1.5"	16.5"	12-1/4"	13.5"	3"	3"	10
15	3"	2"	25"	14-1/4"	21.5"	3"	3"	14.5
15	3"	2"	15.5"	17-1/4"	10"	3"	3"	12
20	3"	2"	24"	16.5"	21"	2.5"	3"	16
30	3"	2"	30.5"	17.5"	25"	3"	3"	18
40	3"	2"	25.5"	22.5"	21"	3"	3"	30
55	3"	2"	33.5"	22.5"	27"	3"	3"	37
100	4"	3"	49"	24"	42"	3"	3"	50
150	4"	3"	48"	30"	40"	3"	3"	70
180	4"	3"	42"	36"	34"	3"	3"	75
200	4"	3"	53"	36"	45"	3"	3"	86
275	4"	3"	48"	42"	40"	3"	4"	100
360	4"	3"	48"	48"	40"	3"	3"	172
Special Application Tanks								
5S A	2"	2"	16.5"	12-1/4"	13"	3"	3"	10
10S A	3"	2"	15.5"	17-1/4"	10"	3"	3"	12
15S A	3"	2"	24"	16-1/4"	17.5"	3"	3"	16
20S A	3"	2"	30.5"	17-1/4"	23.5"	3"	3"	18
30S A	3"	2"	25.5"	22.5"	20"	3"	3"	30
40S A	3"	2"	33.5"	22.5"	25"	3"	3"	37
55S A	3"	2"	36"	24"	30"	3"	3"	42
100S A	3"	2"	48"	31"	38"	3"	3"	55
150S A	4"	3"	53"	36"	38"	3"	3"	75
200S A	4"	3"	48"	42"	38"	3"	3"	90

All tanks above are furnished with male, female or plain end fittings with weights are listed. Any tank may be supplied with variations sized inlets / outlets and vents. Custom changes from the standard are available to fit specific application. Please contact your Scientific Plastics customer service representative for pricing information and all other questions.

1. All tanks are free standing and self-supporting
2. Tanks often ship dimensional weight. Contact your freight carrier for details about dimensional weight
3. Special application tanks capacity is measured from below the outlet
4. Larger size tanks are available by special order