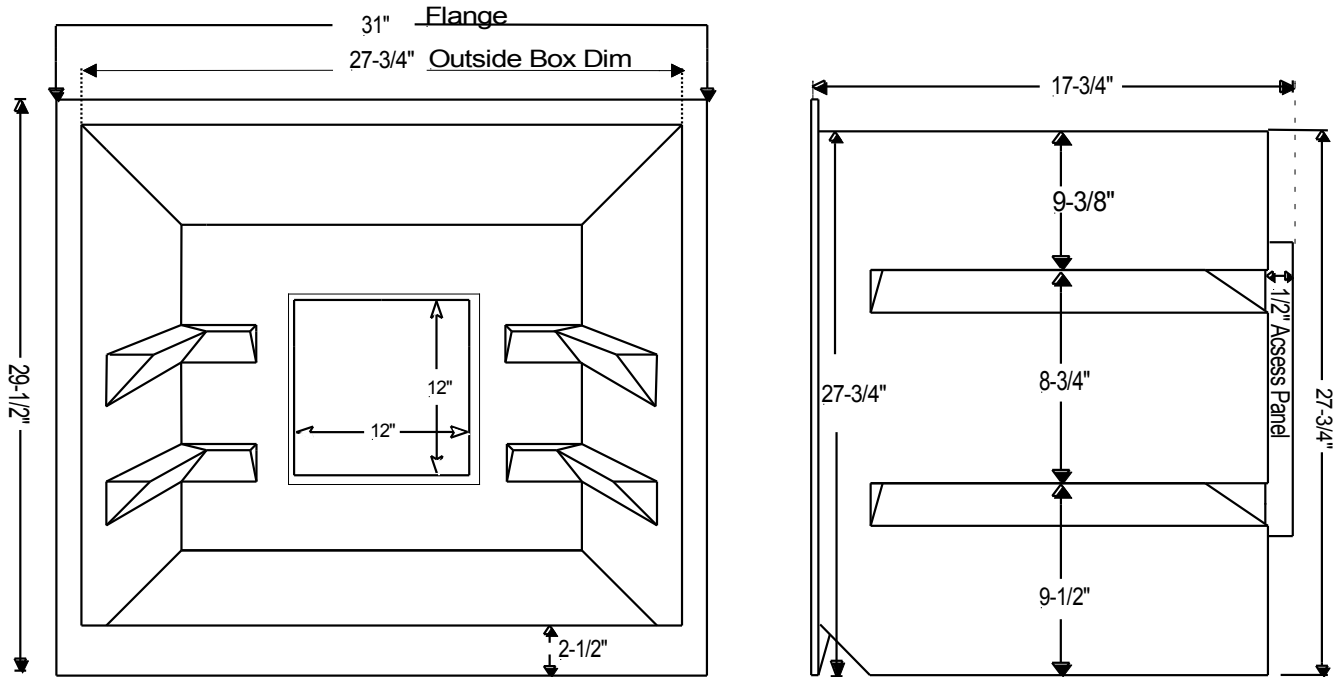




SCIENTIFIC PLASTICS INC.

Universal One Piece Cabinet Liner - 30Tall



Liner designed to fit cabinets with openings
27-3/4"-29-1/2"(H) X 27-3/4"-31"(W).

- Due to rotational molding variability all measurements are $\pm 1/8"$.
- Liner is manufactured to sit on bottom of cabinet with bottom flange flush to cabinet.
- Only top and side flanges should be trimmed to fit cabinet.
DO NOT TRIM BOTTOM FLANGE.
- Liner must be secured to inside of cabinets with proper fasteners. Minor shimming may be required for secure and level installation.
- Cabinets should be kept at an ambient temp of $70^{\circ}\text{F} \pm 5^{\circ}$ for at least 24 hours prior to on-sight trimming and installation.



Scientific Plastics Inc.
1016 Southwest Blvd.
Kansas City Ks. 66103
Phone:(913)432-0322
Fax:(913)432-0459

S.P. Part Number RO30TALL-001

Date: 2/22/12