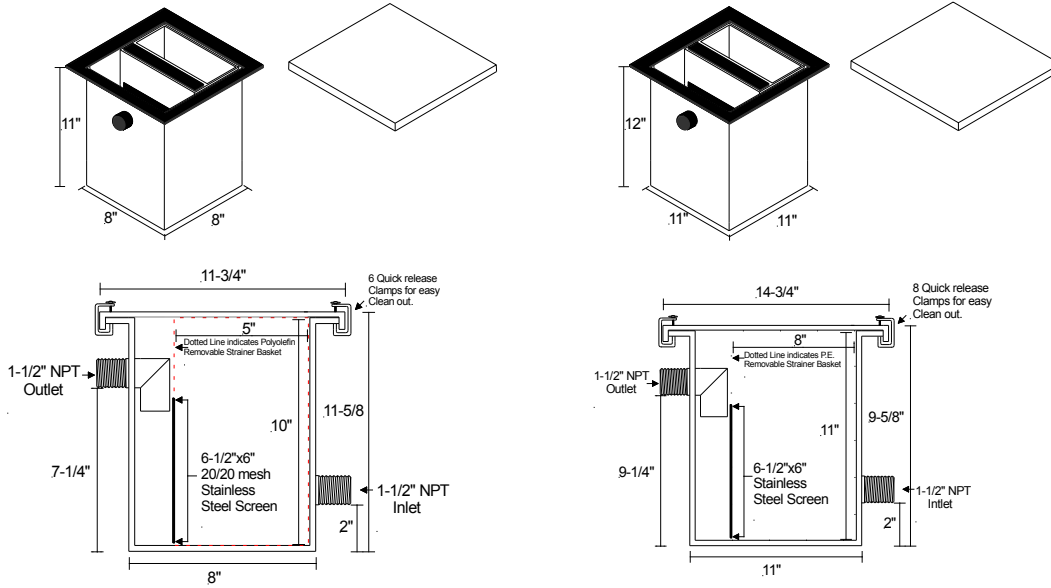


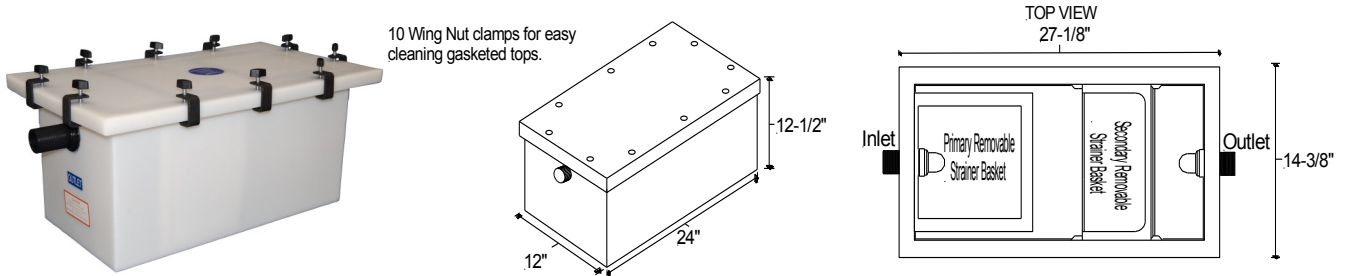
## Solids/ Hair Interceptor 2,5 Gallon



SHI-2 (2 GAL) Hair Interceptor

SHI-5 (5 GAL) Hair Interceptor

## Dual Basket Assembly 15 Gallon



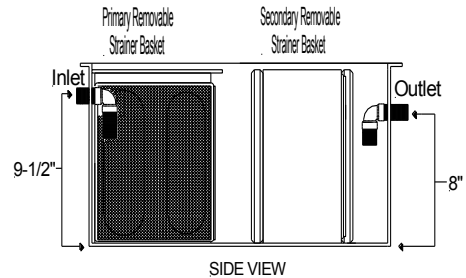
DSHI-15 (15 GAL) Hair Interceptor

ISOMETRIC VIEW

<b>Primary Basket</b>	<b>Secondary Basket</b>
Polyolefin Basket	Polyolefin Basket
PP Screen hole sizes	PP Screened Or
1/16", 1/8", 3/32"	SS mesh 20/20
	for hair trap.

Baskets are removable for cleaning ease 1-1/2" removable NPT elbows.

Hole sizes are available for both baskets in 20/20 mesh stainless steel or PP screen 1/16, 1/8", 3/32"



SIDE VIEW

Tanks should be of seamless construction, rotationally molded in the USA. From HD polyethylene resin conforming to ASTM D-1998-06 and ASTM D-4976. External fittings conforming to ASTM F-1412, shall be polyfused and/or welded to the tank, and be provided with the inlet dip pipe extending down to the bottom. The effluent must be discharged at the bottom of the tank to maximize dwell time. Covers are either bolted down or welded to the tank. The inside bottom of the tank shall be flat with no recessed areas where acid waste or other contaminants can pool.

