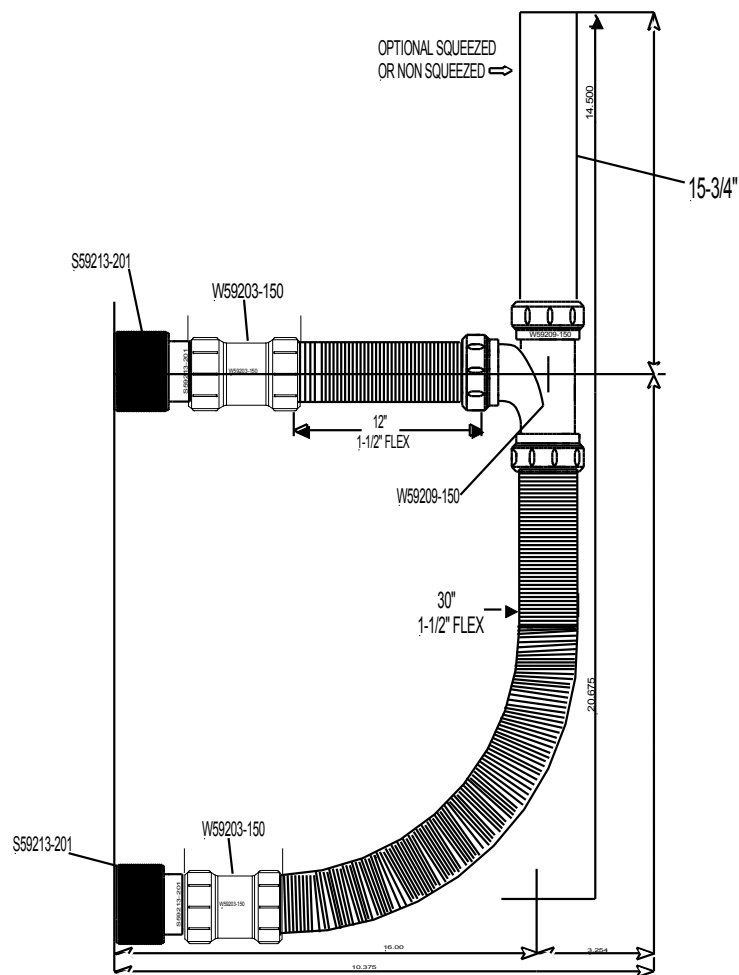




SCIENTIFIC PLASTICS INC.

F160L064F-150 DBL SOLVENT FLEX EXTENDED DEPTH



Scientific Plastics Inc.
1016 Southwest Blvd.
Kansas City Ks. 66103
Phone: (913)432-0322
Fax: (913)432-0459

S.P. Part Number F160L064F-150

Date: 4/1/14