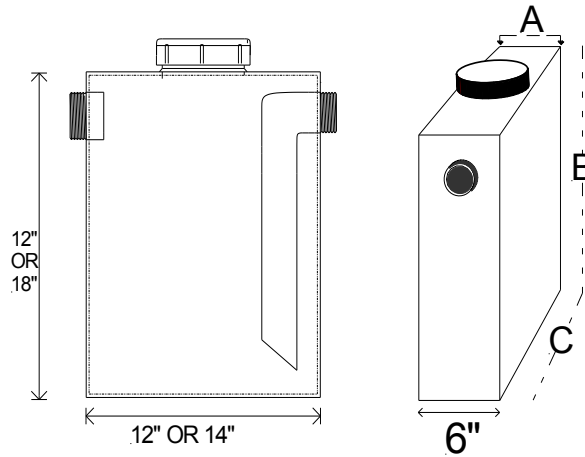


Bookshelf/Boiler Tank

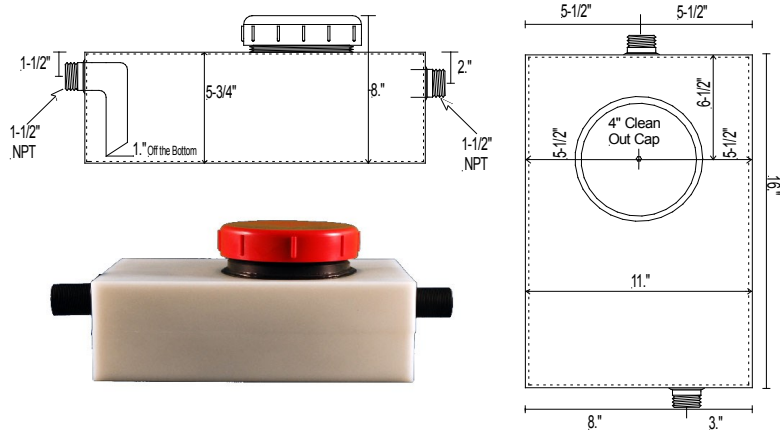
Confined space tanks all dimensions are in inches.



ONE PEICE ROTATIONALLY MOLDED
1 1/2" OR 2" MALE / FEMALE
OR PLAIN END INLET AND OUTLET
3" TOP CLEANOUT CAP

A	B	C	D= GALLONS	PART NUMBER
6"	12"	12"	3	W121206-001
6"	18"	14"	5	W181406-001

The W351611-500
Boiler tank.
For tight fitting
spaces with easy
clean out.



- .Space Saving, Low Profile
- .Non Spill Design
- .4" Cap For Easy Maintenance
- .Acid Resistant
- .Easy Installation Tank, Using Limestone Chips, Neutralizes Acid effluent so that it can be introduced into the standard drainage system.

Tanks should be of seamless construction, rotationally molded in the USA. From HD polyethylene resin conforming to ASTM D-1998-06 and ASTM D-4976. External fittings conforming to ASTM F-1412, shall be polyfused and/or welded to the tank, and be provided with the inlet dip pipe extending down to the bottom. The effluent must be discharged at the bottom of the tank to maximize dwell time. Covers are either bolted down or welded to the tank. The inside bottom of the tank shall be flat with no recessed areas where acid waste or other contaminants can pool.

