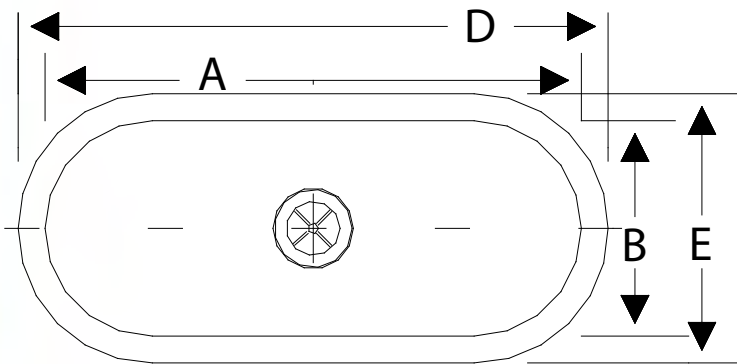
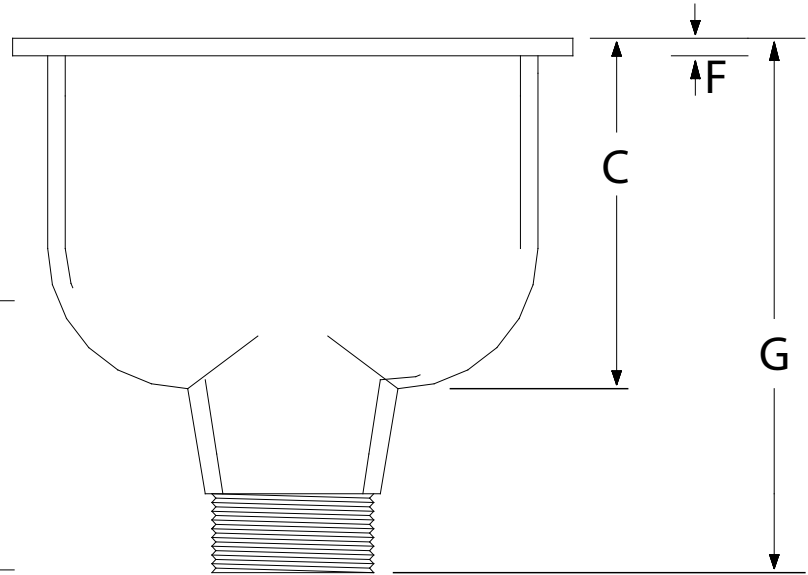


Oval Cup Sinks

Molded-in strainer
Available in black, white and gray.



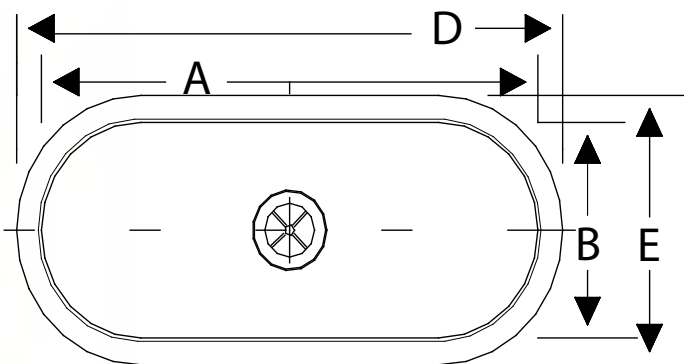
Top View



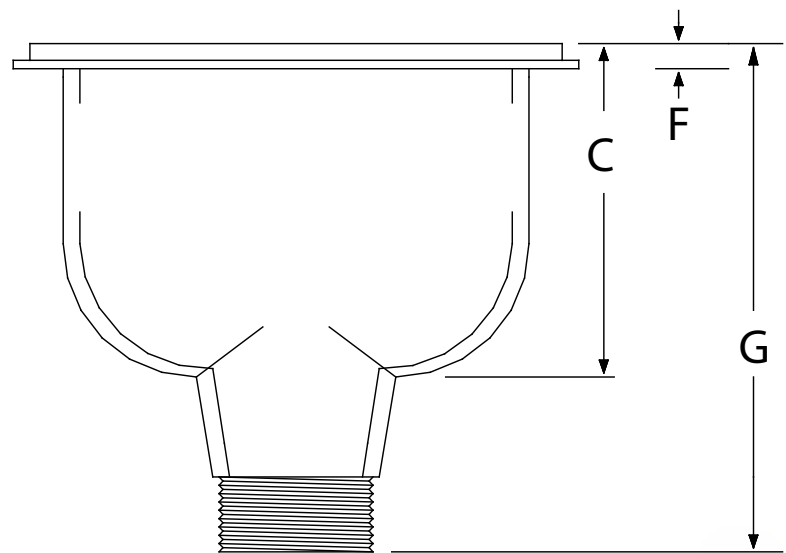
SYMBOL	A	B	C	D	E	F	G	THREAD	LIP
W39030-150	5 7/8"	2 7/8"	4 3/8"	7"	3 7/8"	1/4"	8 7/16"	1.5"	1/4"
W39024-150	9 3/8"	3 3/8"	5 1/2"	10 1/2"	4 3/8"	1/4"	8 1/2"	1.5"	1/4"

Wide Lip

Molded-in strainer
Available in black, white and gray.

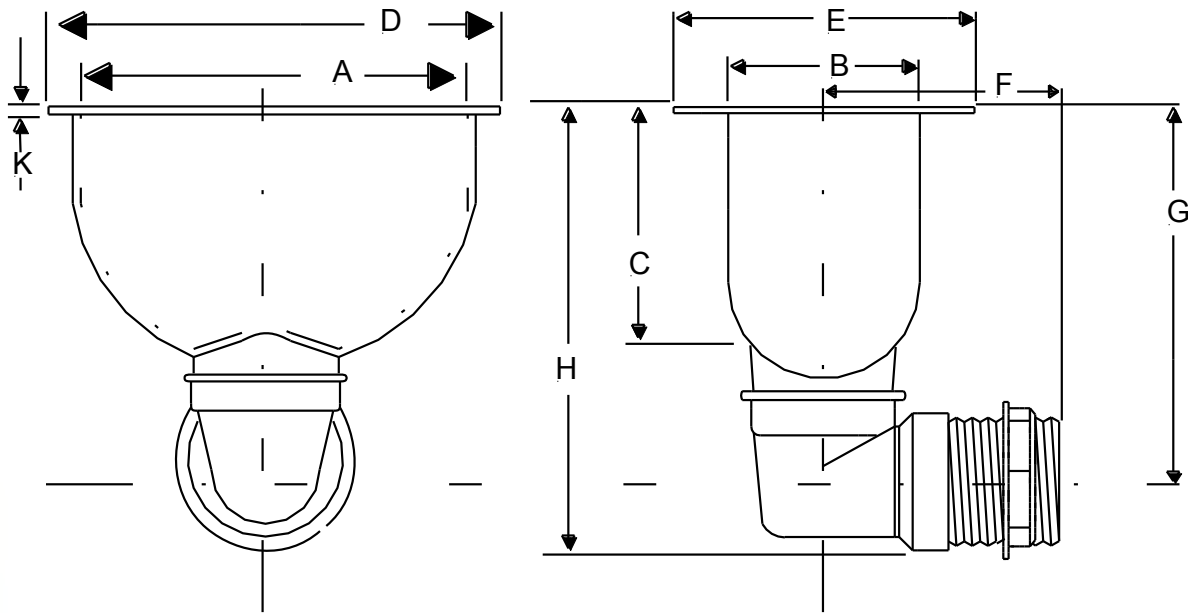


Top View



SYMBOL	A	B	C	D	E	F	G	THREAD	LIP
W39040-150	5 7/8"	2 7/8"	4 3/8"	7 7/16"	4 3/8"	1/4"	8 7/16"	1.5"	1/4"

W39060-150 3X6 LOW PROFILE OVAL BLACK W/ THREADED ELBO



SYMBOL	OUTLET	A	B	C	D	E	F	G	H	K	COLOR
W39060-150	1-1/2" N.P.S	5-3/4"	2-3/4"	4"	7-7/16"	4-1/2"	5-1/4"	5-3/4"	6-3/4"	1/4"	BLACK
W39060-151	1-1/2" N.P.S	5-3/4"	2-3/4"	4"	7-7/16"	4-1/2"	5-1/4"	5-3/4"	6-3/4"	1/4"	WHITE
W39060-154	1-1/2" N.P.S	5-3/4"	2-3/4"	4"	7-7/16"	4-1/2"	5-1/4"	5-3/4"	6-3/4"	1/4"	GREY



Scientific Plastics Inc.
1016 Southwest Blvd.
Kansas City Ks. 66103
Phone: (913)432-0322
Fax: (913)432-0459

S.P. Part Number W39060-150

Date: 1/18/09