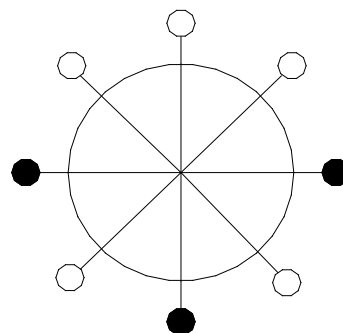
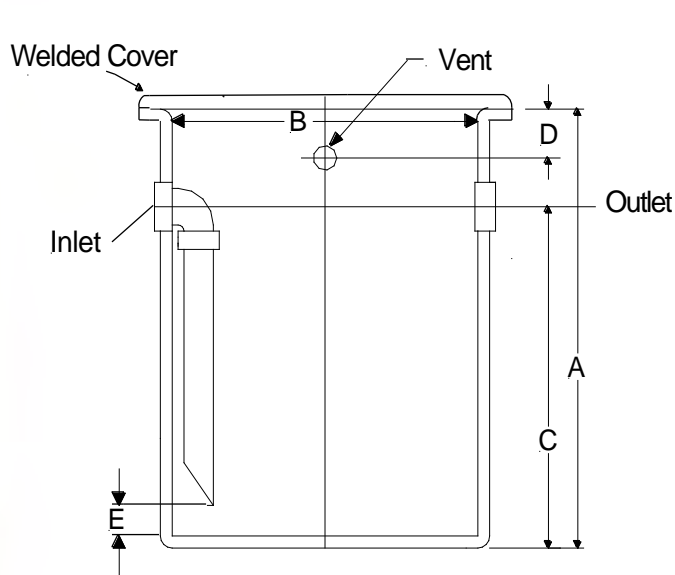


## Welded Cover Tanks



Welded Cover tanks are manufactured in 15 gallon to 2400 gallon sizes. These tanks are complete with welded circular tops. The 15 and 30 gallon tanks have a 6" clean out installed in the top of the tank for access. Tanks above 55 gallons have a 17" bolted manhole installed for access.

### Standard Tank Dimensional Guide

Gallons	Inlet/Outlet	Vent	A-Height	B-Diameter	C-Inlet/Outlet	D-Vent	E-Inlet to btm	Weight(lbs)
15	3"	2"	25"	14-1/4"	21.5"	3"	3"	14.5
15	3"	2"	15.5"	17-1/4"	10"	3"	3"	12
20	3"	2"	24"	16.5"	21"	2.5"	3"	16
30	3"	2"	30.5"	17.5"	25"	3"	3"	18
40	3"	2"	25.5"	22.5"	21"	3"	3"	30
55	3"	2"	33.5"	22.5"	27"	3"	3"	37
100	4"	3"	49"	24"	42"	3"	3"	50
150	4"	3"	48"	30"	40"	3"	3"	70
180	4"	3"	42"	36"	34"	3"	3"	75
200	4"	3"	53"	36"	45"	3"	3"	86
275	4"	3"	48"	42"	40"	3"	4"	100
360	4"	3"	48"	48"	40"	3"	3"	172

\*All tanks furnished with Male, Female or Plain End Fittings. All other additional fittings from price sheet.

\*\*Allow additional 5" for flange clearance on diameter of tank. All weight listed above is in pounds.

All tanks above supplied with above sized inlets, outlets and vents.

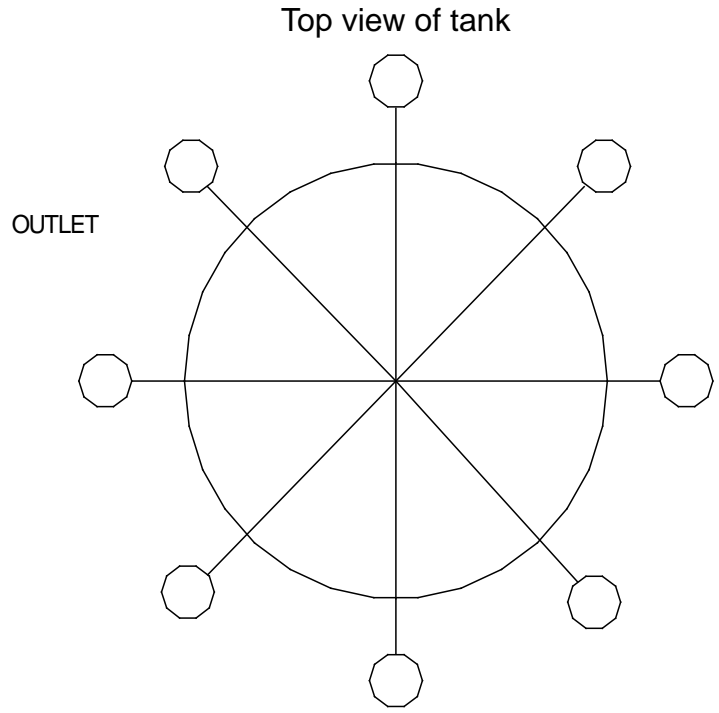
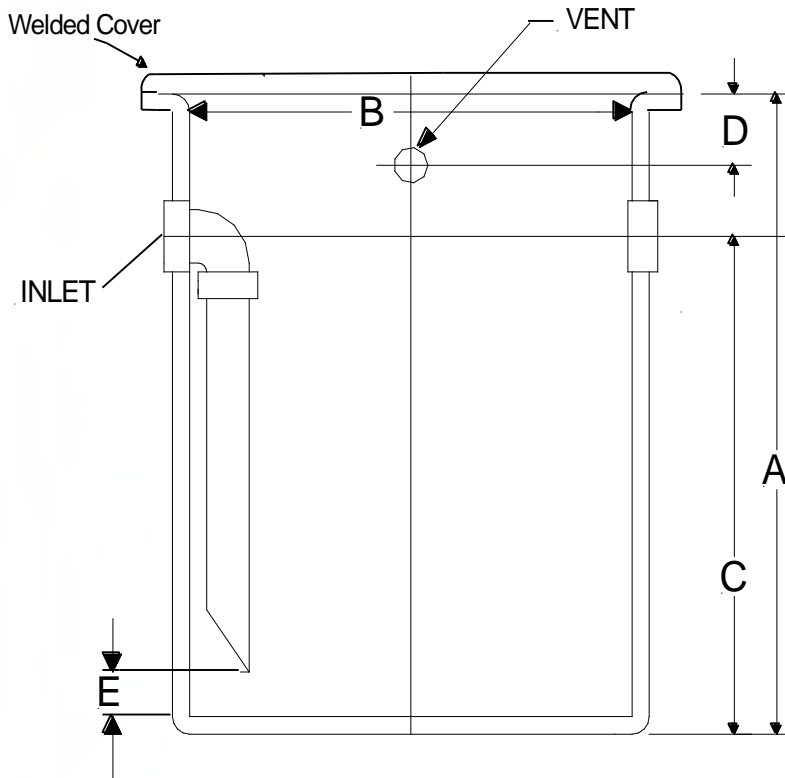
Tanks may be ordered with other variations on inlets, outlets and vents, as well as, different locations and elevations of openings. For additional openings or variations of fitting sizes, contact your Scientific Plastics representatives for pricing.

1. All tanks are free standing and self supporting.
2. Tanks often ship dimensional weight. Contact freight carrier for details on dimensional weight.
3. Larger tank sizes by special order.
4. Special application tank capacity measured from below the outlet.

## Cylindrical Tank Data Sheet (Welded Cover)

Part No.	
P.O. No.	
# of Tanks	
Tank Size	

A	B	C	D	E



Please Specify Inlet and Outlet Locations

Connections		
	Type	Size
Inlet	Job Name	
Outlet	Date	
Vent	<input type="checkbox"/> Top	<input type="checkbox"/> Side