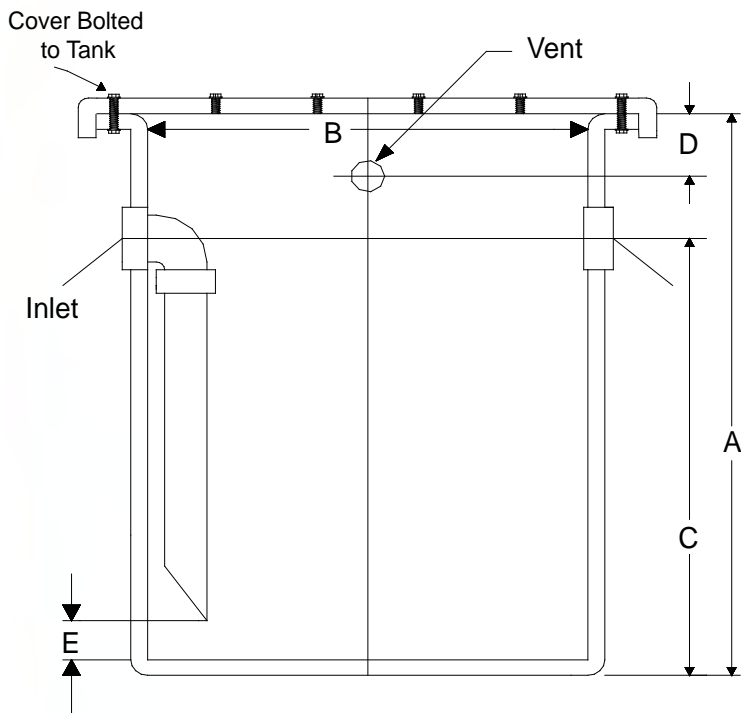


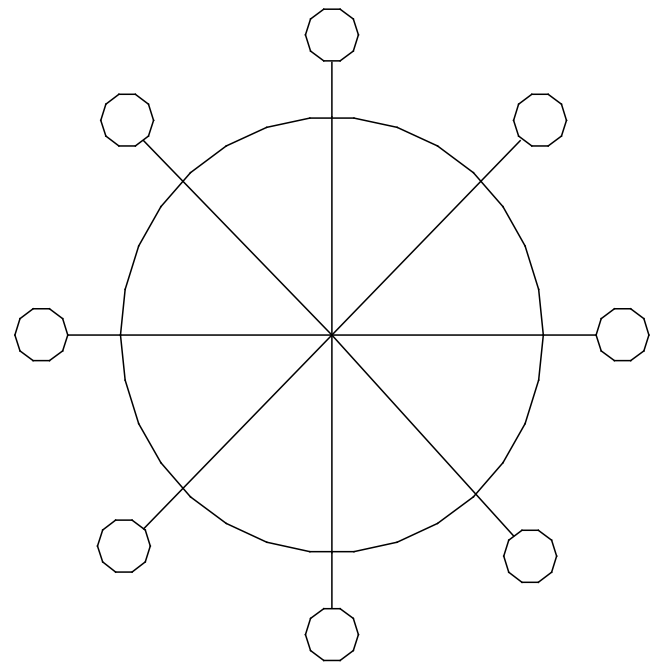
## Cylindrical Tank Data Sheet (Bolted Cover)

Part No.	_____
P.O. No.	_____
# of Tanks	_____
Tank Size	_____

A	B	C	D	E



Top view of tank



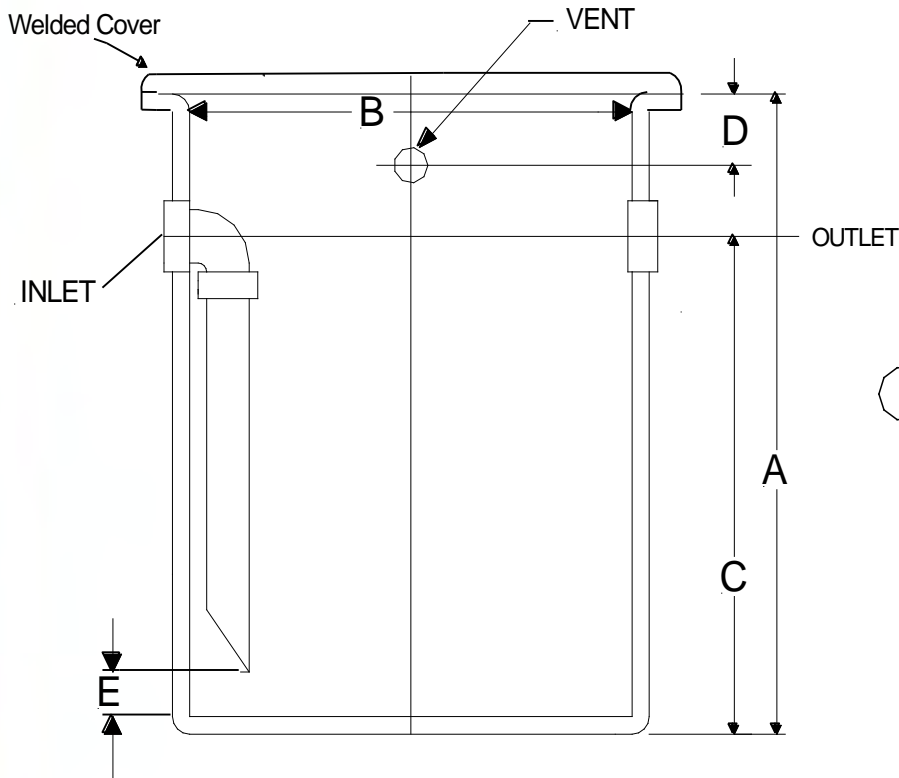
Please Specify Inlet and Outlet Locations

Connections		
Type	Size	
Inlet		Job Name
Outlet		Date
Vent	<input type="checkbox"/> Top <input type="checkbox"/> Side	

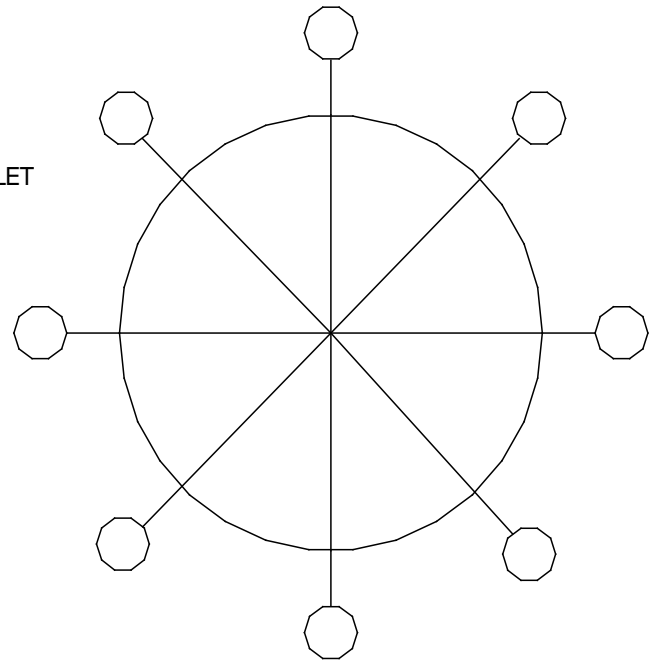
## Cylindrical Tank Data Sheet (Welded Cover)

Part No.	_____
P.O. No.	_____
# of Tanks	_____
Tank Size	_____

A	B	C	D	E



Top view of tank



Please Specify Inlet and Outlet Locations

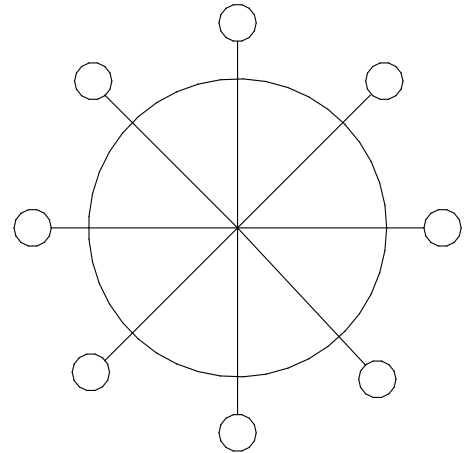
Connections		
Type	Size	
Inlet		Job Name
Outlet		Date
Vent	<input type="checkbox"/> Top <input type="checkbox"/> Side	

## Cylindrical Tank Data Sheet (4 and 5 Gallon Holding Tank)

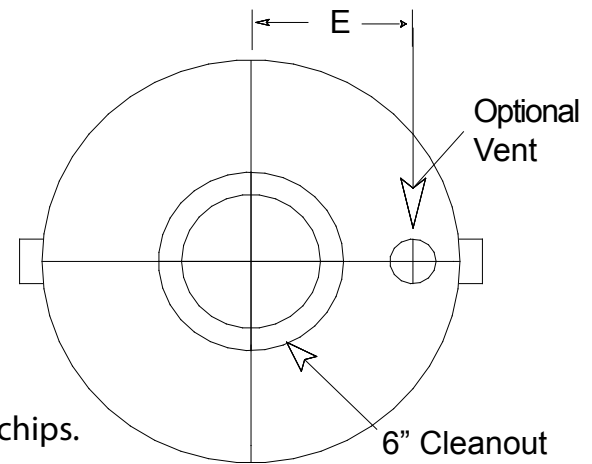
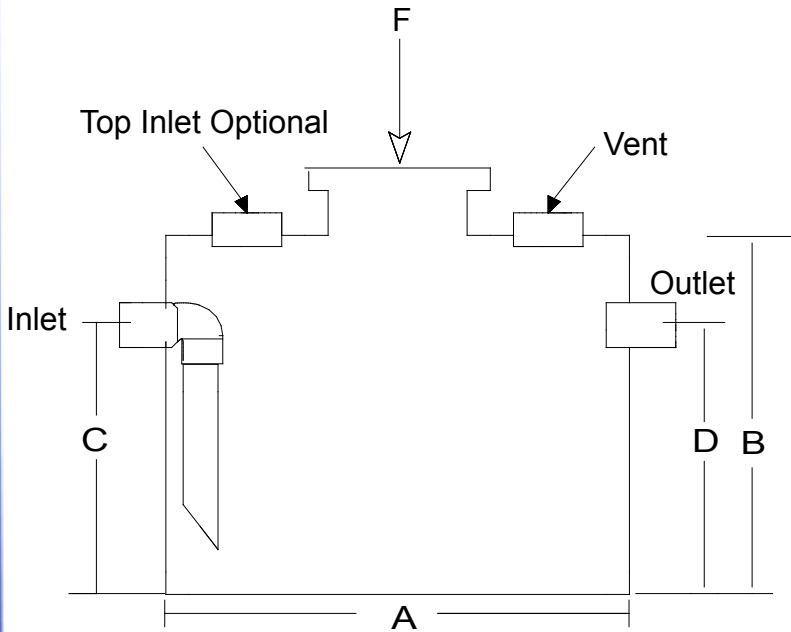
W32506-150 (5 Gallon)  
W32507-150 (4 Gallon)

Part No.	_____
P.O. No.	_____
# of Tanks	_____
Tank Size	_____

Top view of tank



Please Specify Inlet and Outlet Locations



- \*Under counter tank with multiple uses.
- \*Dilution, holding tank, or neutralization of acids with limestone chips.
- \*6" cap allowing for easy access.

Symbol	A	B	C	D	E	F	Inlet	Outlet	Vent	Clean Out	Volume
W32506	15"	12"	9"	9"	5.5"	4.5"	1.5"	1.5"	1.5"	6"	5 Gal
W32507	12"	12"	9"	9"	4"	1.5"	1.5"	1.5"	1.6"	6"	4 Gal

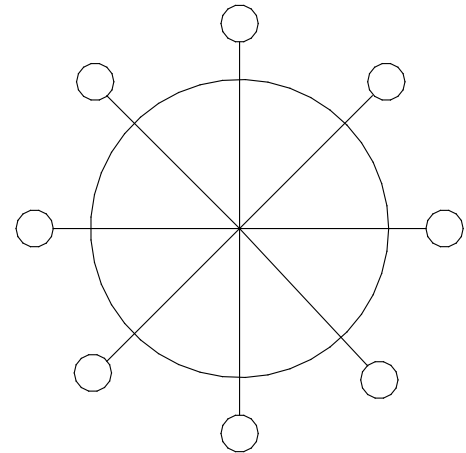
Connections		
Type	Size	
Inlet		Job Name
Outlet		Date
Vent	<input type="checkbox"/> Top <input type="checkbox"/> Side	

Limestone with 90% calcium carbonate content available.

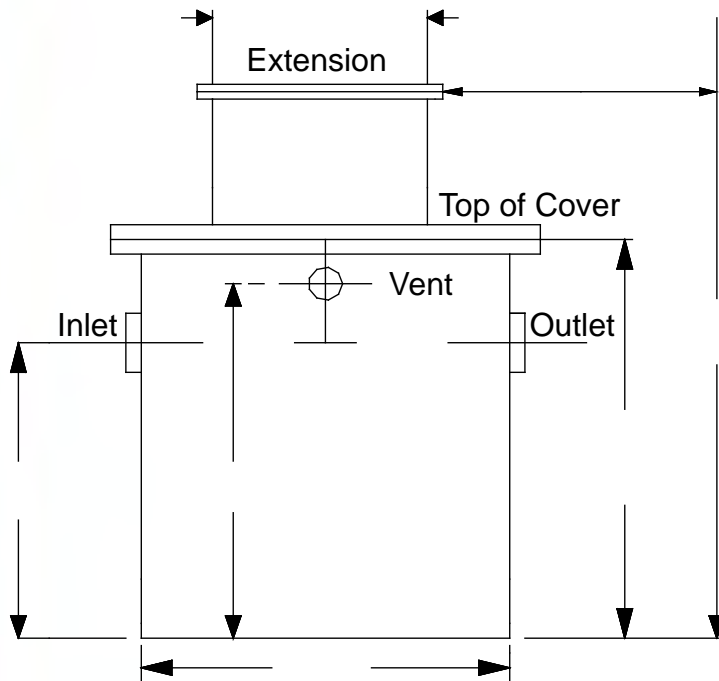
## Cylindrical Tank Data Sheet (With Extension)

Part No.	_____
P.O. No.	_____
# of Tanks	_____
Tank Size	_____

Top view of tank



Please Specify Inlet and Outlet Locations



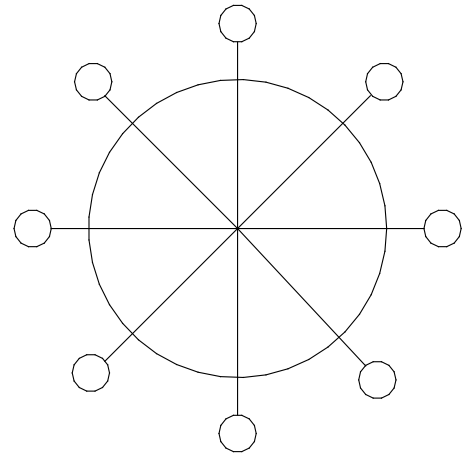
- Bolted and gasketed cover
- Welded cover with 17" diameter manway
- Fiberglass wrapped polyethylene tank

Connections		
Type	Size	
Inlet		Job Name
Outlet		Date
Vent	<input type="checkbox"/> Top <input type="checkbox"/> Side	

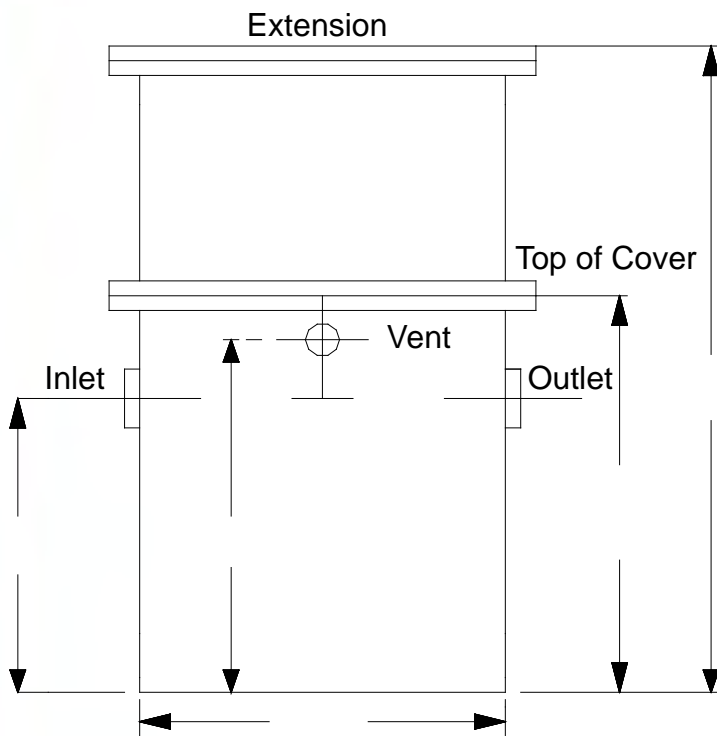
## Cylindrical Tank Data Sheet (With Full Extension)

Part No.	
P.O. No.	
# of Tanks	
Tank Size	

Top view of tank



Please Specify Inlet and Outlet Locations



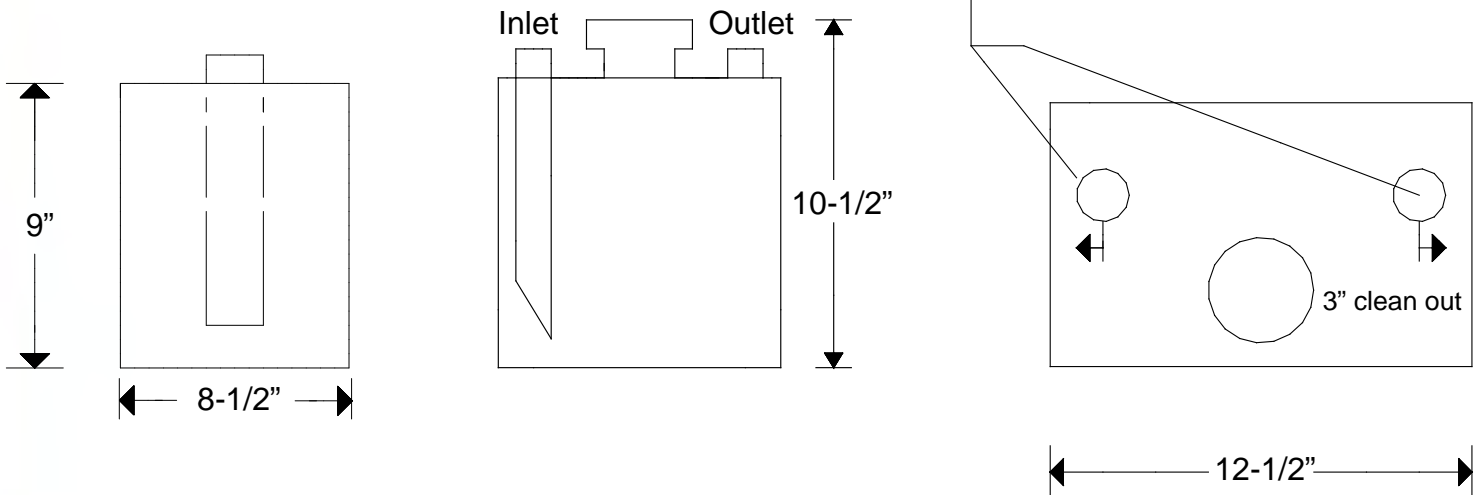
- Bolted and gasketed cover
- Welded cover with 17" diameter manway
- Fiberglass wrapped polyethylene tank

Connections	
Type      Size	
Inlet	Job Name
Outlet	Date
Vent	<input type="checkbox"/> Top <input type="checkbox"/> Side

## Rectangular Tank Data Sheet

Part No.	_____
P.O. No.	_____
# of Tanks	_____
Tank Size	_____

Inlets and outlets with 1-1/2" and 2" please specify upon order.



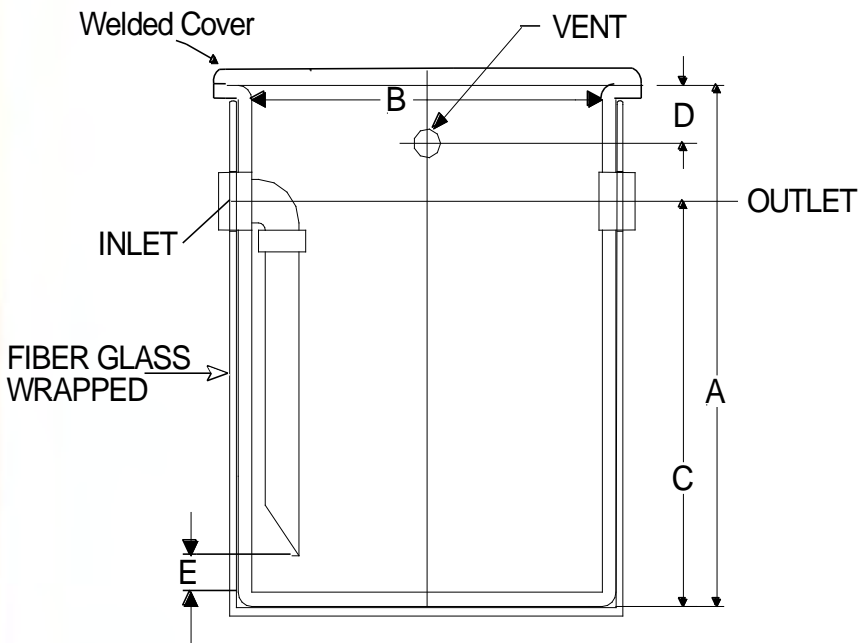
Connections		
Type	Size	
Inlet		Job Name
Outlet		Date
Vent	<input type="checkbox"/> Top <input type="checkbox"/> Side	

## Cylindrical Tank Data Sheet (FRP Wrapped)

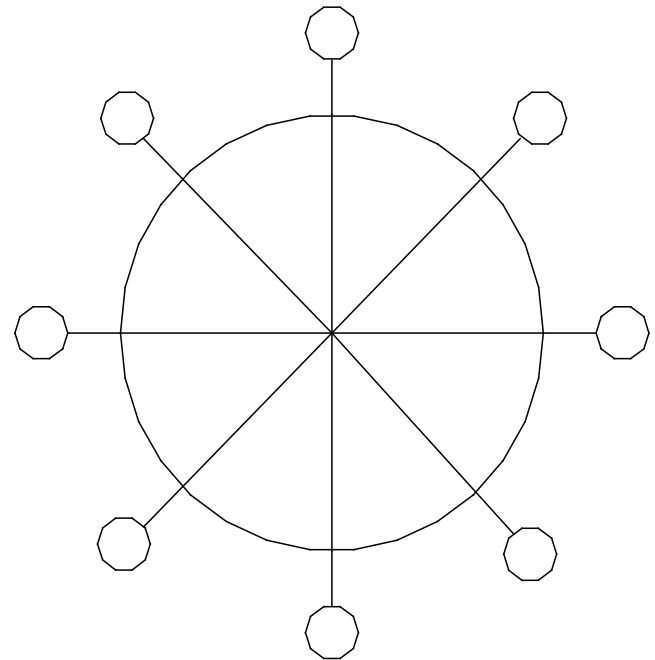
Part No.	
P.O. No.	
# of Tanks	
Tank Size	

<input type="checkbox"/>	Welded Cover
<input type="checkbox"/>	Bolted Cover

A	B	C	D	E



Top view of tank



Please Specify Inlet and Outlet Locations

Connections	
Type	Size
Inlet	Job Name
Outlet	Date
Vent	<input type="checkbox"/> Top <input type="checkbox"/> Side