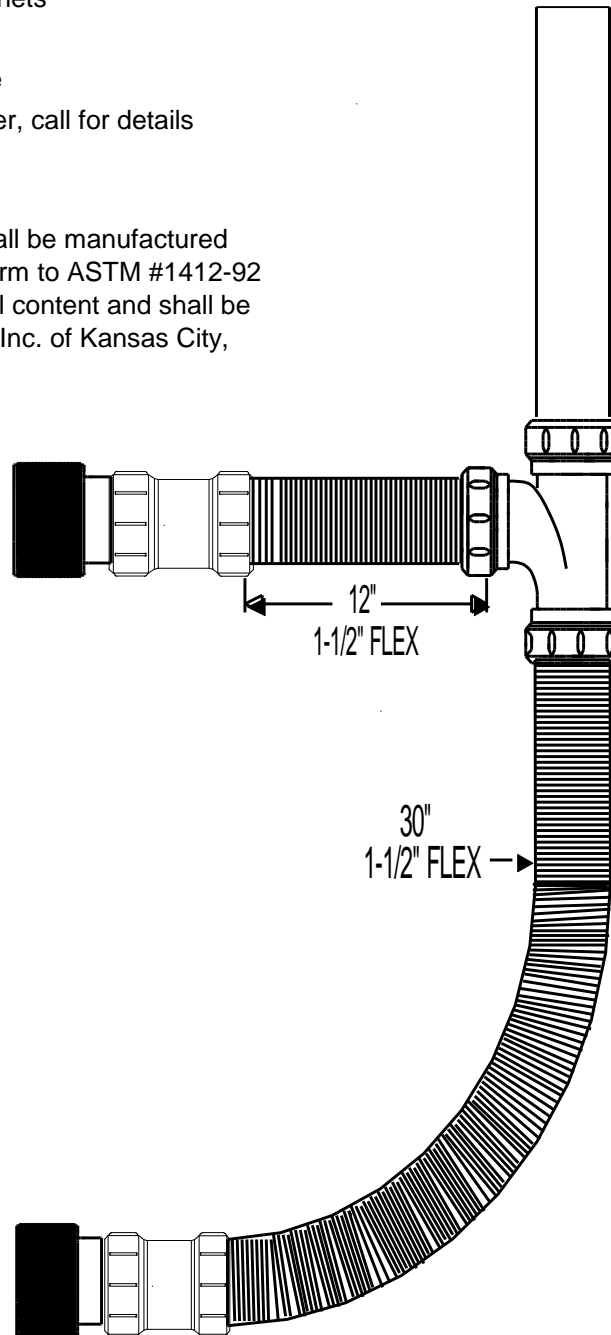


DBL Solvent Flex Extended Depth Vent

F160L064F-150

- Designed for acid or material cabinets
- Squeezed or non-squeezed top
- Flexible or standard pipe available
- Custom venting made to your order, call for details

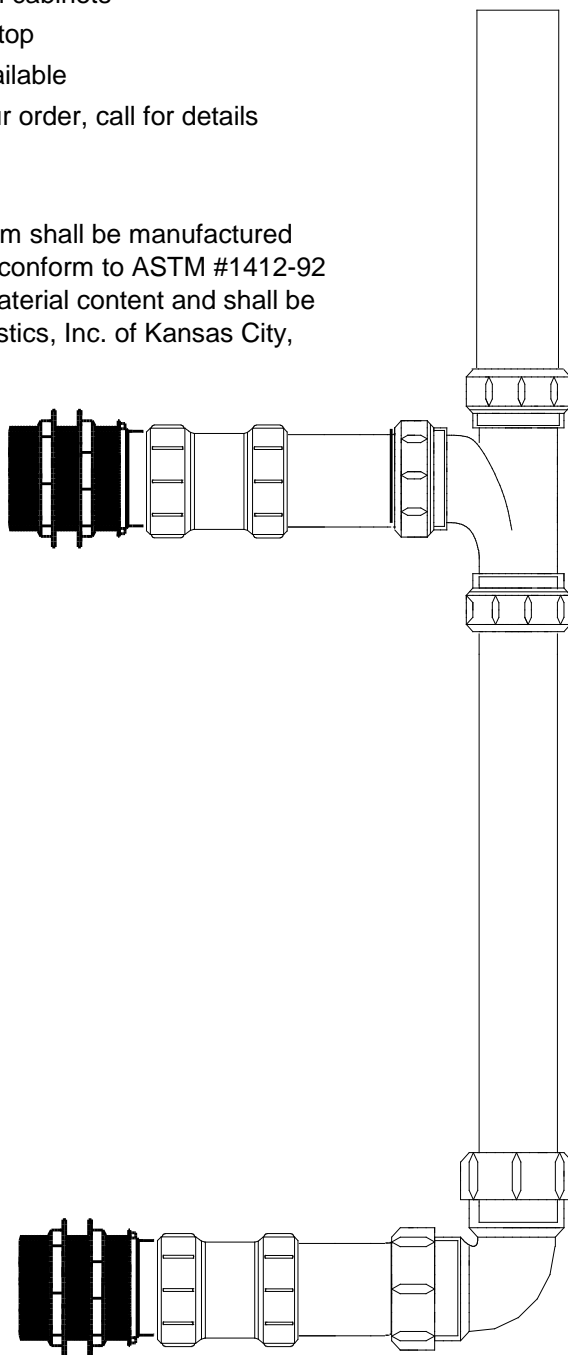
Specifications: Venting system shall be manufactured from polyolefin resin and shall conform to ASTM #1412-92 for corrosion resistance and material content and shall be manufactured by Scientific Plastics, Inc. of Kansas City, KS.



DBL Acid Extended Depth Vent F160L078E-150

- Designed for acid or material cabinets
- Squeezed or non-squeezed top
- Flexible or standard pipe available
- Custom venting made to your order, call for details

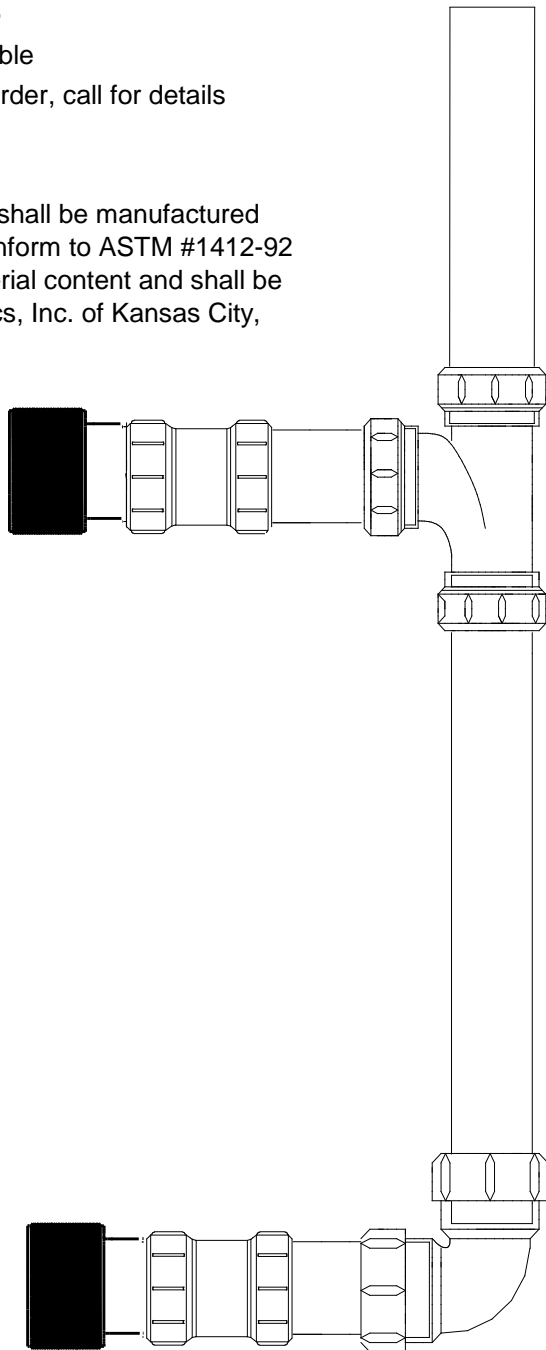
Specifications: Venting system shall be manufactured from polyolefin resin and shall conform to ASTM #1412-92 for corrosion resistance and material content and shall be manufactured by Scientific Plastics, Inc. of Kansas City, KS.



DBL Solvent Extended Depth Vent F160L090E-150

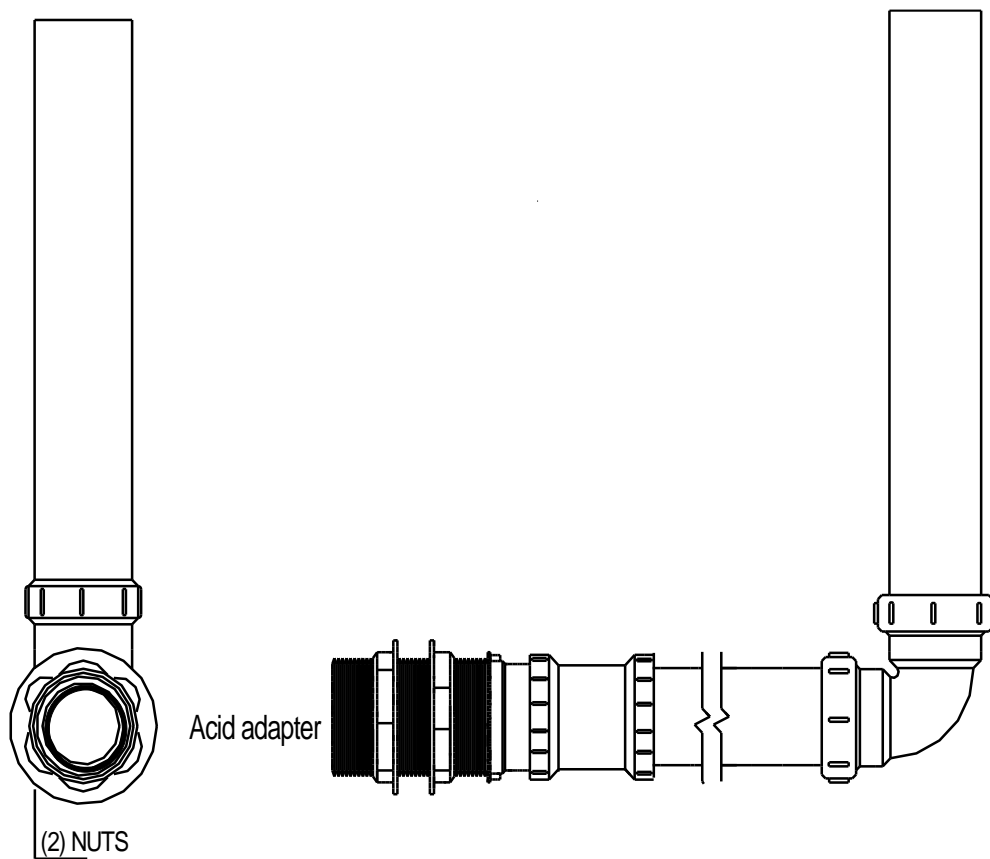
- Designed for acid or material cabinets
- Squeezed or non-squeezed top
- Flexible or standard pipe available
- Custom venting made to your order, call for details

Specifications: Venting system shall be manufactured from polyolefin resin and shall conform to ASTM #1412-92 for corrosion resistance and material content and shall be manufactured by Scientific Plastics, Inc. of Kansas City, KS.



Single Acid Extended Depth Vent

F1690L063-150



- Designed for acid or material cabinets
- Squeezed or non-squeezed top
- Flexible or standard pipe available
- Custom venting made to your order, call for details

Specifications: Venting system shall be manufactured from polyolefin resin and shall conform to ASTM #1412-92 for corrosion resistance and material content and shall be manufactured by Scientific Plastics, Inc. of Kansas City, KS.