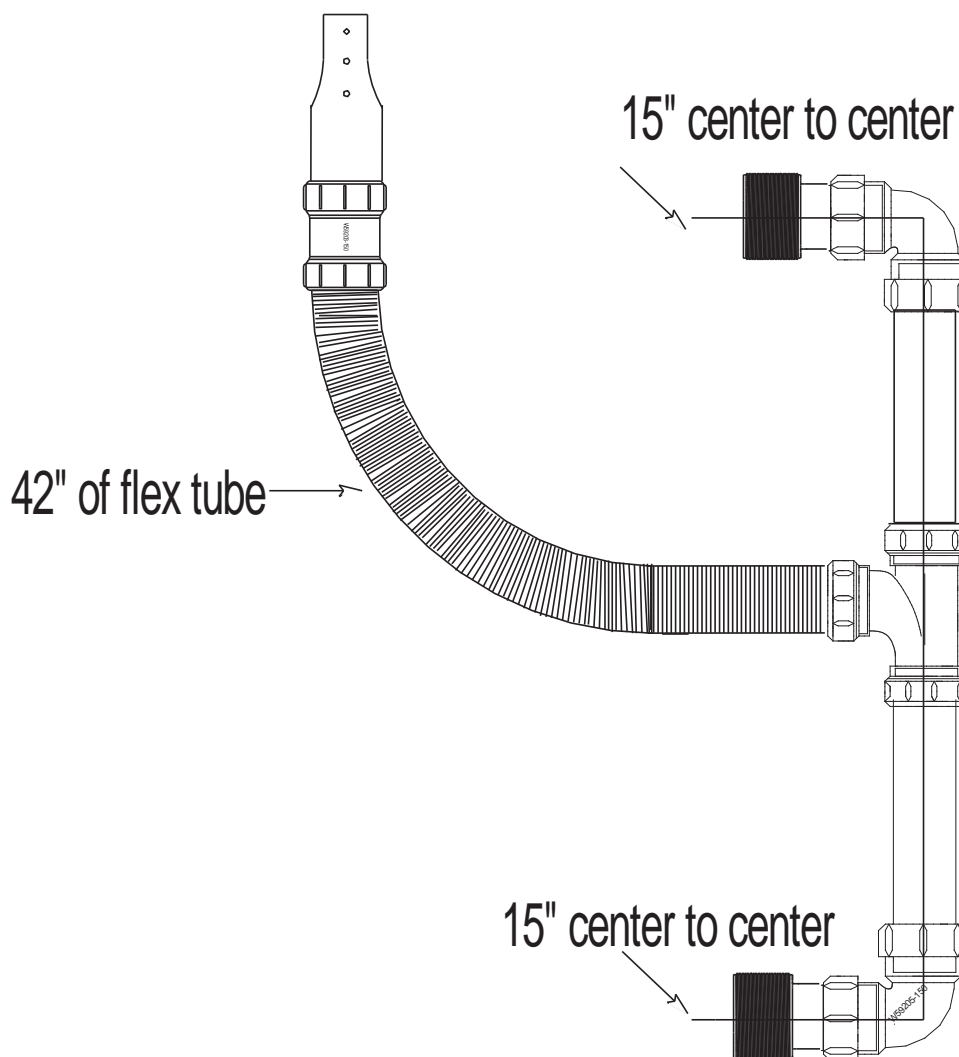


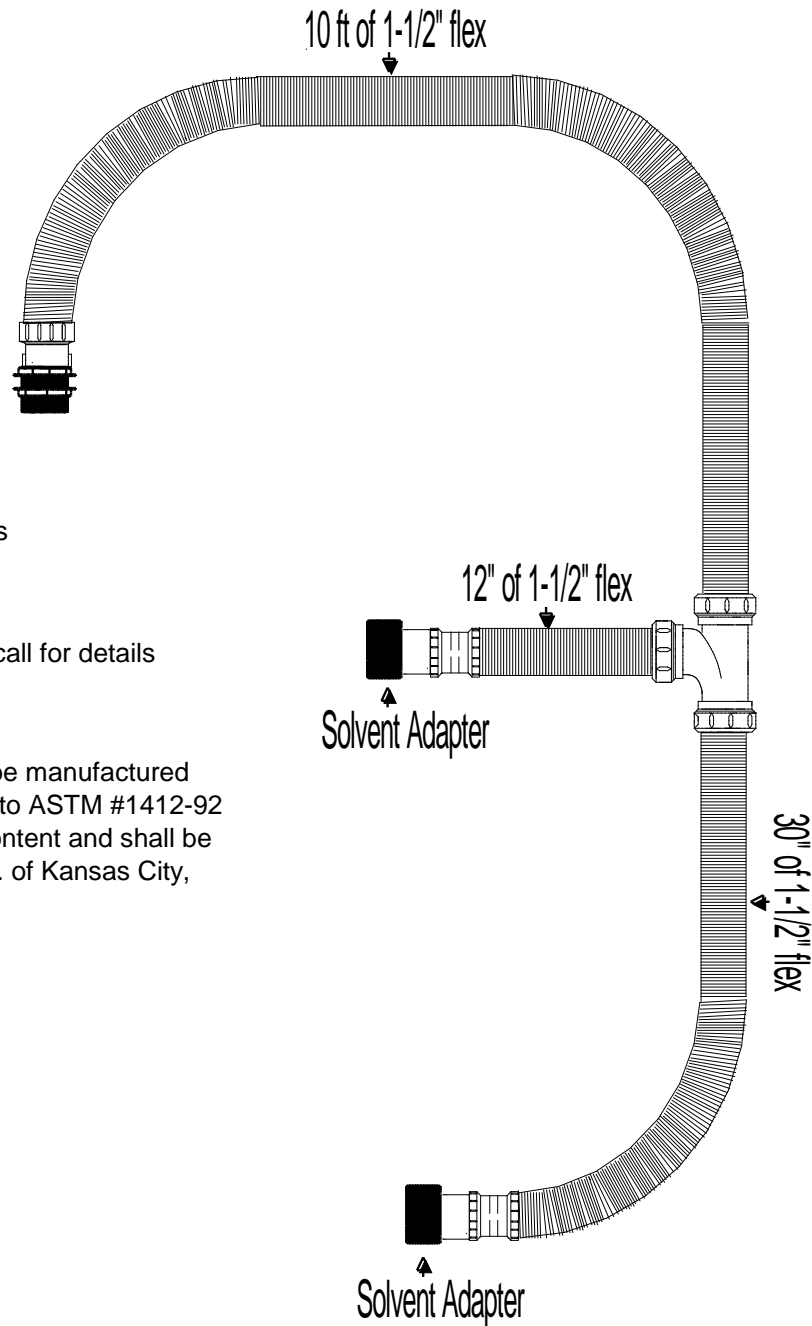
DBL Solvent Flex F16L06X-150

- Designed for acid or material cabinets
- Squeezed or non-squeezed top
- Flexible or standard pipe available
- Custom venting made to your order, call for details

Specifications: Venting system shall be manufactured from polyolefin resin and shall conform to ASTM #1412-92 for corrosion resistance and material content and shall be manufactured by Scientific Plastics, Inc. of Kansas City, KS.



SOLVENT FLEX VENT F160L080-150 DBL



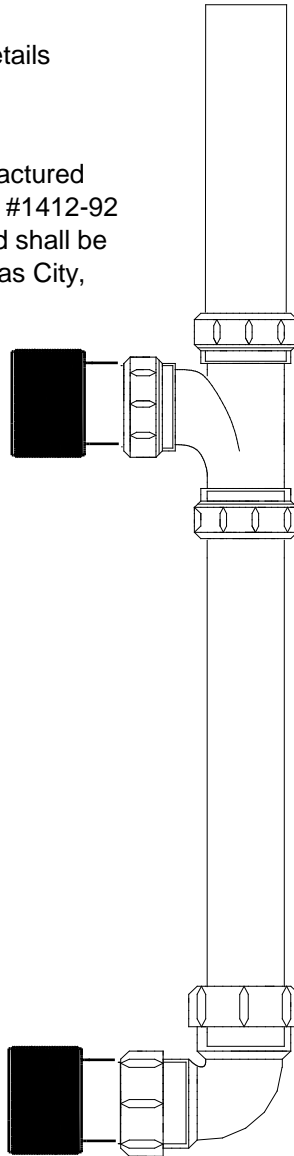
- Designed for acid or material cabinets
- Squeezed or non-squeezed top
- Flexible or standard pipe available
- Custom venting made to your order, call for details

Specifications: Venting system shall be manufactured from polyolefin resin and shall conform to ASTM #1412-92 for corrosion resistance and material content and shall be manufactured by Scientific Plastics, Inc. of Kansas City, KS.

DBL Solvent Vent F160L090-150

- Designed for acid or material cabinets
- Squeezed or non-squeezed top
- Flexible or standard pipe available
- Custom venting made to your order, call for details

Specifications: Venting system shall be manufactured from polyolefin resin and shall conform to ASTM #1412-92 for corrosion resistance and material content and shall be manufactured by Scientific Plastics, Inc. of Kansas City, KS.

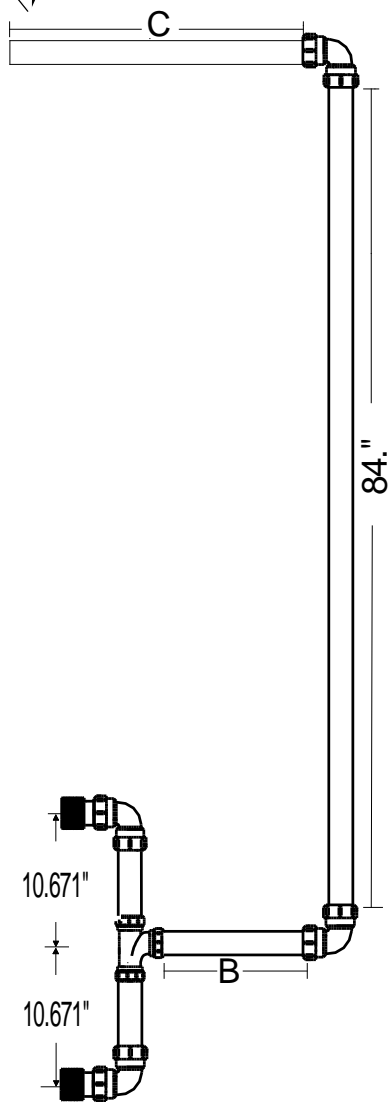
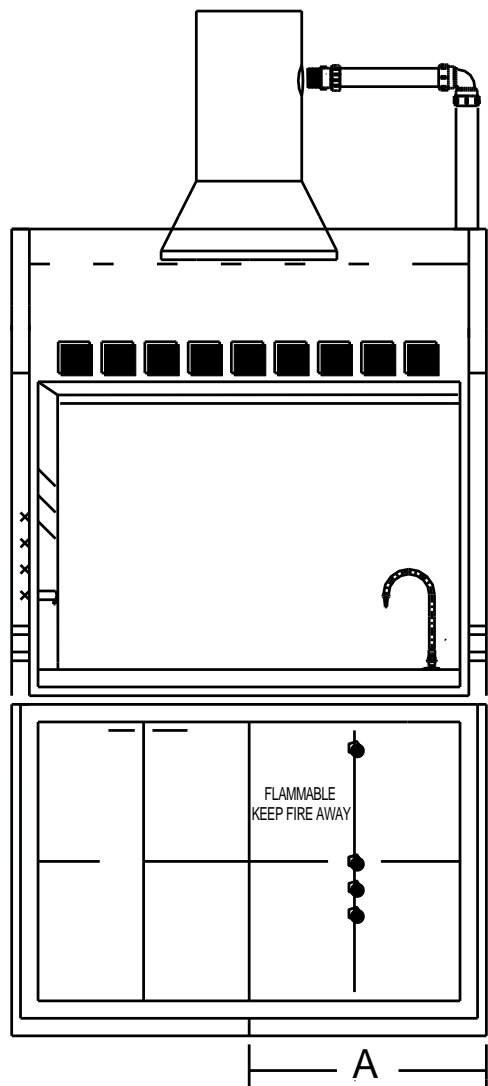
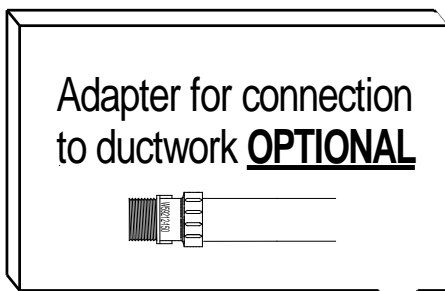


DBL Solvent Vent System

W38544-150
30" Cabinet

W38545-150
36" Cabinet

W38546-150
48" Cabinet



SOLVENT STORAGE VENT	A	B	C
W38544	30."	13.25"	24."
W38545	36."	16.25"	30."
W38546	48."	22.25"	42"

Double Solvent Flex Vent

W38549-150

- Designed for acid or material cabinets
- Squeezed or non-squeezed top
- Flexible or standard pipe available
- Custom venting made to your order, call for details

Specifications: Venting system shall be manufactured from polyolefin resin and shall conform to ASTM #1412-92 for corrosion resistance and material content and shall be manufactured by Scientific Plastics, Inc. of Kansas City, KS.

