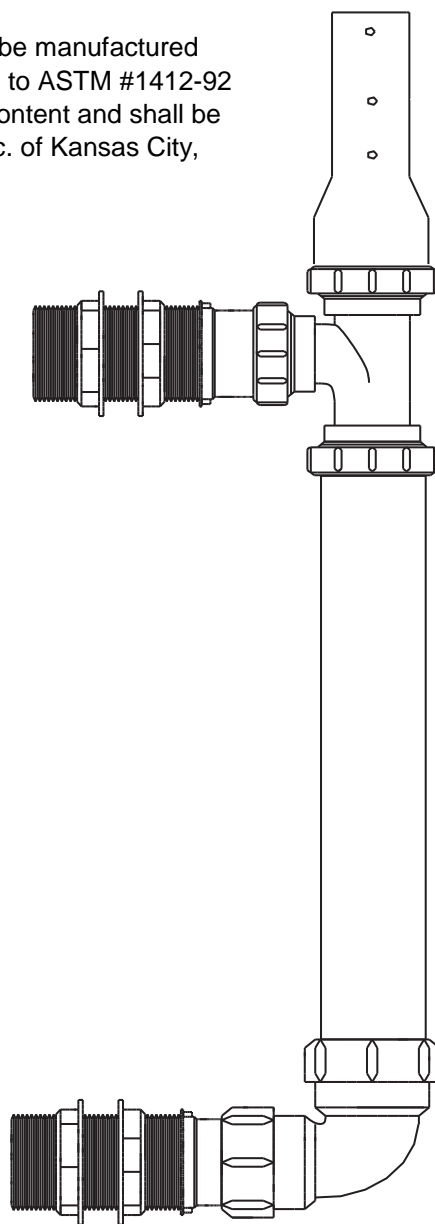


Double Acid Vent F160L06X-150

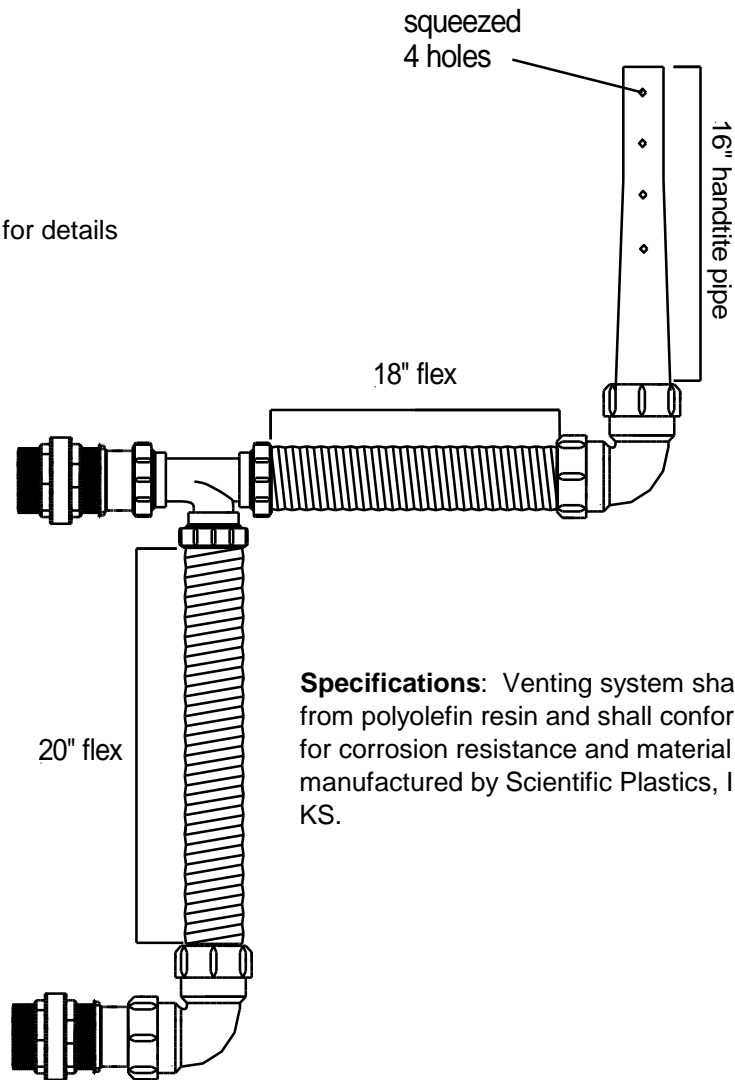
- Designed for acid or material cabinets
- Squeezed or non-squeezed top
- Flexible or standard pipe available
- Custom venting made to your order, call for details

Specifications: Venting system shall be manufactured from polyolefin resin and shall conform to ASTM #1412-92 for corrosion resistance and material content and shall be manufactured by Scientific Plastics, Inc. of Kansas City, KS.



Universal Double Acid Flexible Vent F1607879F-150

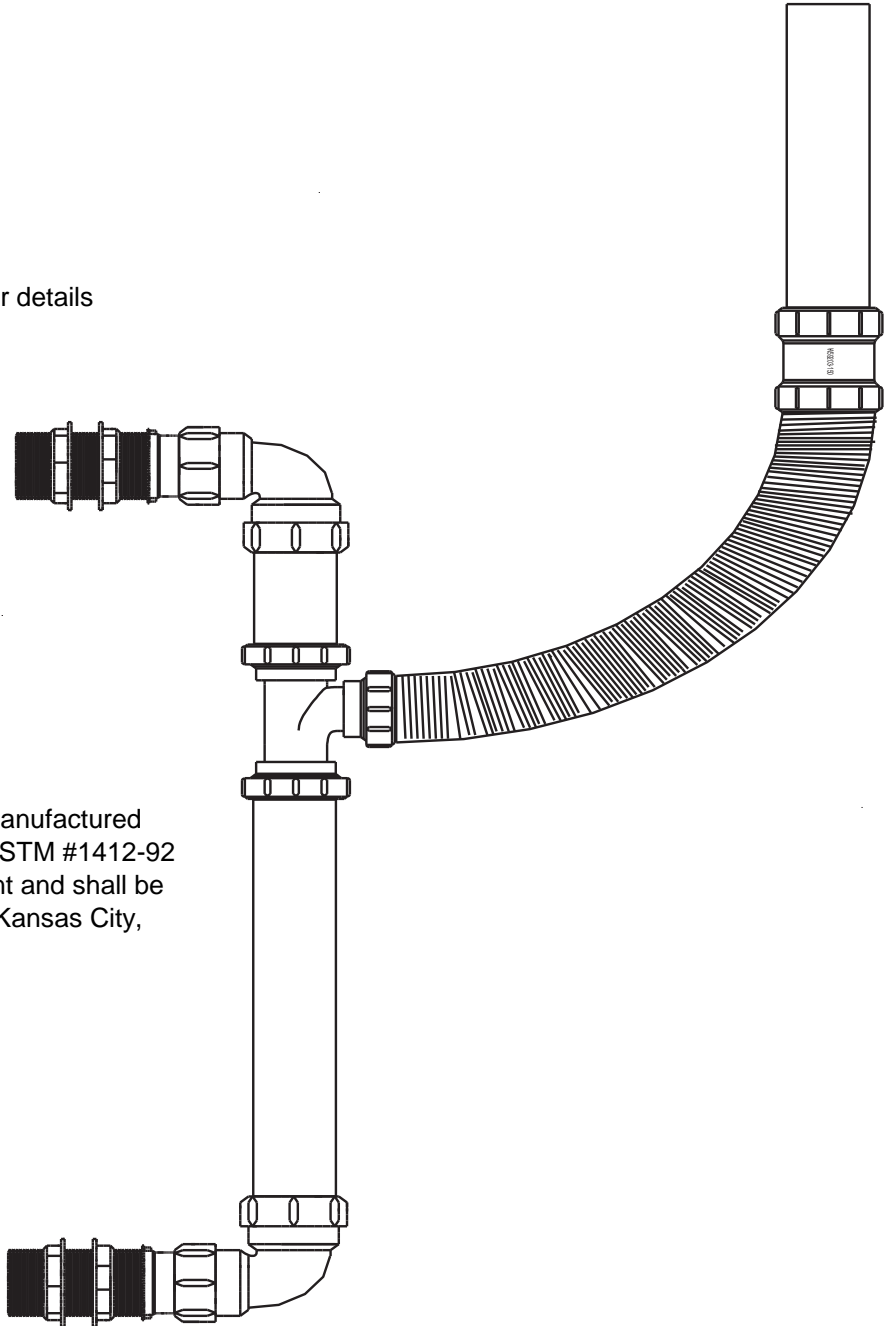
- Designed for acid or material cabinets
- Squeezed or non-squeezed top
- Flexible or standard pipe available
- Custom venting made to your order, call for details



Specifications: Venting system shall be manufactured from polyolefin resin and shall conform to ASTM #1412-92 for corrosion resistance and material content and shall be manufactured by Scientific Plastics, Inc. of Kansas City, KS.

Hi-Lo Acid Vent Assembly F160L06XF-150

- Designed for acid or material cabinets
- Squeezed or non-squeezed top
- Flexible or standard pipe available
- Custom venting made to your order, call for details

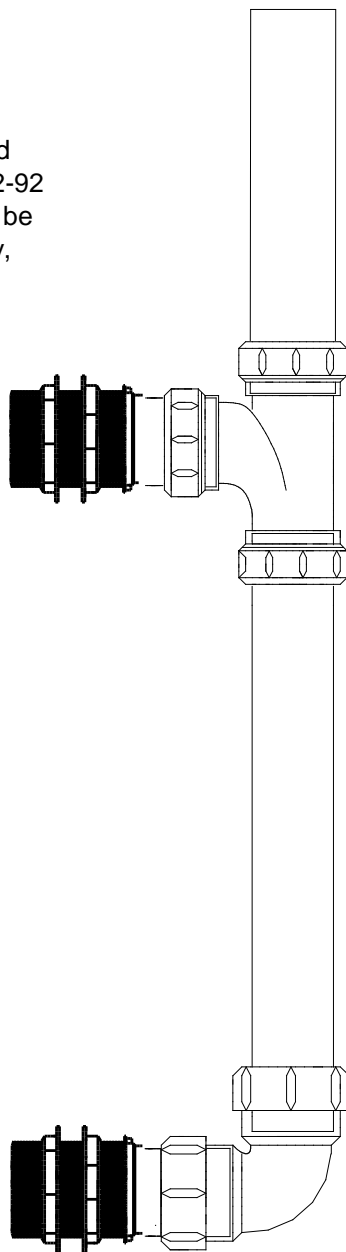


Specifications: Venting system shall be manufactured from polyolefin resin and shall conform to ASTM #1412-92 for corrosion resistance and material content and shall be manufactured by Scientific Plastics, Inc. of Kansas City, KS.

DBL Acid Flush Panel Vent F160L078-150

- Designed for acid or material cabinets
- Squeezed or non-squeezed top
- Flexible or standard pipe available
- Custom venting made to your order, call for details

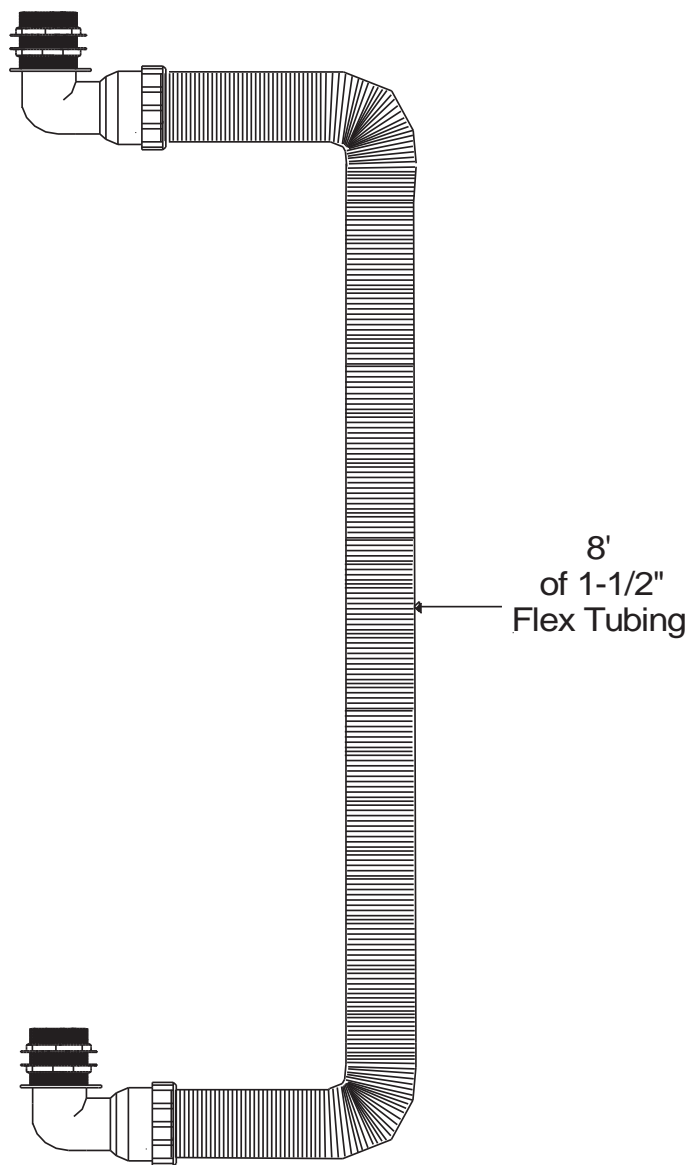
Specifications: Venting system shall be manufactured from polyolefin resin and shall conform to ASTM #1412-92 for corrosion resistance and material content and shall be manufactured by Scientific Plastics, Inc. of Kansas City, KS.



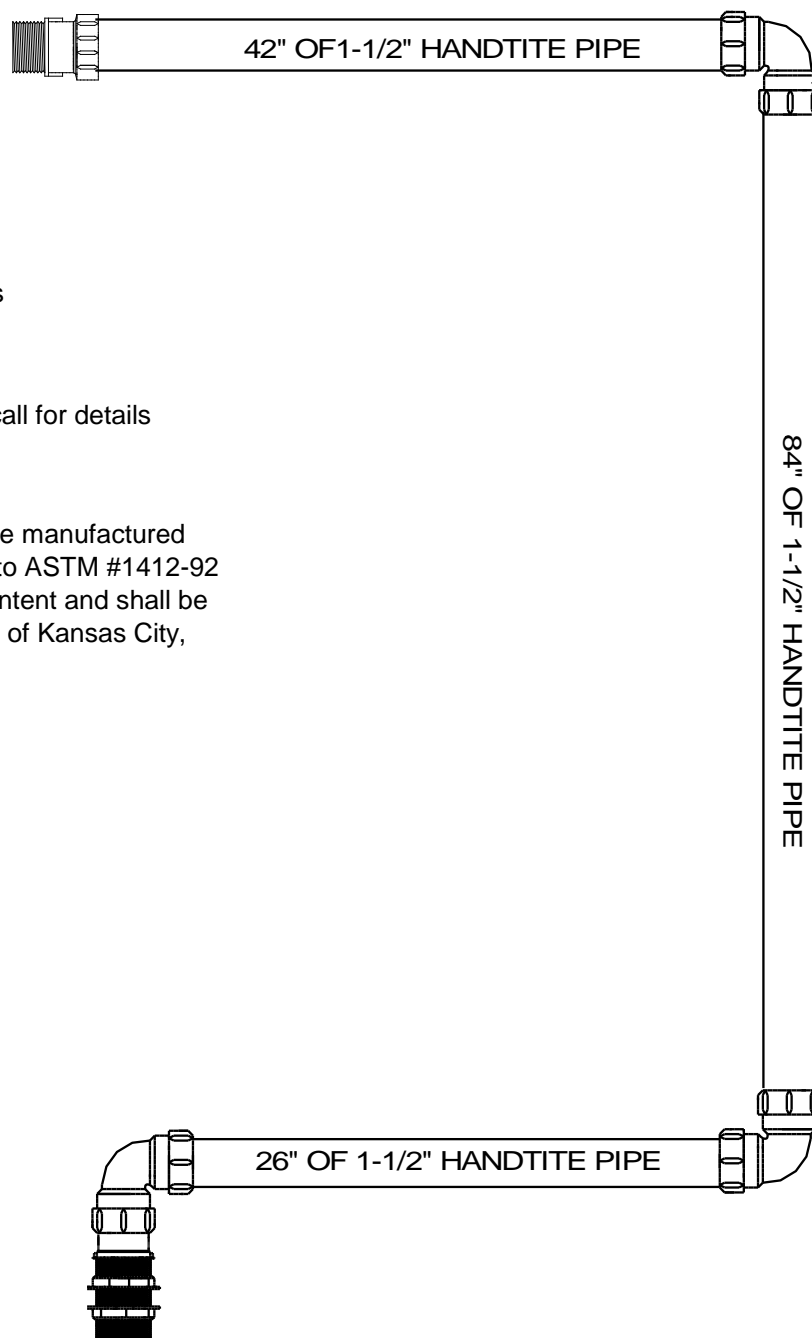
Flex Acid Vent HA38590-150

- Designed for acid or material cabinets
- Squeezed or non-squeezed top
- Flexible or standard pipe available
- Custom venting made to your order, call for details

Specifications: Venting system shall be manufactured from polyolefin resin and shall conform to ASTM #1412-92 for corrosion resistance and material content and shall be manufactured by Scientific Plastics, Inc. of Kansas City, KS.



Single Acid Fume Hood Vent Connection W38570-150



- Designed for acid or material cabinets
- Squeezed or non-squeezed top
- Flexible or standard pipe available
- Custom venting made to your order, call for details

Specifications: Venting system shall be manufactured from polyolefin resin and shall conform to ASTM #1412-92 for corrosion resistance and material content and shall be manufactured by Scientific Plastics, Inc. of Kansas City, KS.